

Life Cycle Impact Assessment on Electricity Production from Biomass Power Plant System Through Life Cycle Assessment (LCA) Method using Biomass from Palm Oil Mill in Indonesia

Kimam Siregar^{1*}, *Achmadin Luthfi Machsun*², *Sholihati Sholihati*³, *Rizal Alamsyah*⁴, *Ichwana Ichwana*¹, *Nobel Christian Siregar*⁴, *Syafriandi Syafriandi*¹, *Intan Sofiah*⁵, *Try Miharza*⁶, *Syukri Muhammad Nur*⁷, *Olga Anne*⁸, and *Roy Hendroko Setyobudi*^{7,9}

¹Department of Agricultural Engineering of Syah Kuala University,
Jl. Tgk. Hasan Krueng Kalee, Banda Aceh 23111, Indonesia

²PT. Enerba Teknologi, Jl. Tekno Widya Setu Tangerang Selatan, Banten, 15314, Indonesia

³Department of Agricultural Industry Technology, Serambi Mekkah University,
Jl. Unmuha, Bato Lueng Bata Banda Aceh 23245, Indonesia

⁴Centre for Agro-Based Industry, Ministry of Industry Indonesia, Jl. Harsono,
Jakarta Selatan 12550, Indonesia

⁵Dakara Bisnis Institute, Department of Environment, Jl. Lingkar Baru Laladon,
Dramaga Bogor, 16680, Indonesia

⁶Indonesian Life Cycle Assessment Network (ILCAN), P2Kimia, Jl. Puspitek, LIPI, Serpong
Tangerang, 15314, Indonesia

⁷Graduate School of Renewable Energy, Darma Persada University, Jl. Taman Malaka Selatan No.22,
Jakarta Timur, 13450, Indonesia

⁸Engineering Department of Marine Technology and Natural Sciences Faculty, Klaipeda University,
H. Manto g. 84, Klaipėda 92294, Lithuania, EU

^{7,9}Department of Agriculture Science, Postgraduate Program, University of Muhammadiyah Malang,
Jl. Raya Tlogomas No.246, Malang, 65145, Indonesia

Abstract. New energy and renewable widely available in Indonesia. One of them is the biomass that can be used with gasification technology. Biomass is an organic matter to which derived from biological materials. This research was used integration gasification system with a gas engine, which works more properly with CO, and H₂. The advantage of this biomass power plant compared the environmental impact on other types of plants such as coal-fired power plants, diesel power plants, etc. Therefore the potential of environmental impacts was generated, it is necessary to calculate quantitatively through the life cycle assessment methods. This research aimed to calculate impact assessment on electricity production from a Biomass Power Plant system through a life cycle assessment with boundary cradle to grave in Indonesia. The study revealed that greenhouse gas (GHG) emission of electricity production from an empty fruit bunch palm oil mill was 0.15 kg CO₂-eq kWh⁻¹. The gas engine was the highest GHG emission contributor during its life cycle. Empty fruit bunch as a source of biomass for electricity production was considered as climate-friendly power plant system due to its potential in reducing GHG emission from palm oil production and released lower GHG emission.

Keywords: Greenhouse gas, gasification technology, renewable energy, waste to electricity.

* Corresponding author: ksiregar.tep@unsyiah.ac.id

1 Introduction

Indonesia has a huge number of renewable energy sources, like biomass. Installed capacity power plants Indonesia now 53 585 MW, where the potential energy biomass is the largest of renewable sources of energy that owned by Indonesia [1]. Biomass is organic matter to which derived from biological materials. Biomass is a potential energy resource and there are several pathways, such as physical, thermal, chemical and biological, to generate energy. Unlike fossil fuel, biomass as renewable fuel has an advantage in maintaining a closed carbon cycle with no net increase in atmospheric CO₂ levels [2]. Biomass takes Carbon out of the atmosphere while it is growing and returns it as it is burned. The increase of CO₂ emission from fossil fuels has a dominant influence on the atmospheric CO₂ concentration that eventually results in rising global temperature and sea level [3]. Moreover, its negligible sulfur and nitrogen are the main advantages of using biomass for preventing acid rain [4].

There is the potential number of biomass produced from palm oil industry. The biomass from palm oil industry can be clasified into oil palm fronds (OPF), oil palm trunks (OPT), empty fruit bunch (EFB), palm kernel shells, mesocarp fibre and palm oil mill effluent (POME) [5]. The oil palm EFB is one of the high carbon content biomass, which is currently used as a combustion boiler fuel with very low efficiency. It contains cellulose, hemicellulose, and lignin, which have high carbon and hydrogen contents, comparable with hard wood [3]. In 2030, it was estimated that there would be a production of 54×10^6 t of empty fruit bunch. However, this empty fruit bunch is rarely to be utilized and usually turns into a waste product or as a source of fertilizer. In order to reduce the waste capacity from an empty fruit bunch and to obtain the potential energy, this biomass from an empty fruit bunch should be utilized for electricity production through a biomass power plant system. Oil palm is also said as an emitter in all stages of its life, but the use of oil palm biomass can reduce the emissions produced. According to Shuit et al. combustion of oil palm biomass does not contribute to net amount of carbon in the atmosphere as carbon is assimilated during plant growth [6].

The utilization of an empty fruit bunch through a biomass power plant system can be conducted by using biomass gasification. Gasification is a thermo-chemical conversion of biomass into a valuable gaseous product [7]. The gasification of biomass allows the production of a biosynthesis gas or 'bio-syngas', consisting primarily of CO, CO₂, H₂, CH₄, N₂, LHV and tar component [8]. It also produces solids (such as char, ash) and condensable products like tars and [9]. The process of gasification consisting of four stage of the process on the basis the difference range temperature conditions, which is drying ($T > 150$ °C), pyrolysis (150 °C $< T < 700$ °C), oxidation (700 °C $< T < 1\ 500$ °C), and the reduction (800 °C $< T < 1\ 000$ °C). The results of pyrolysis in the form of charcoal subjected to the process of combustion and a reduction process that generates a gas H₂ and CO [7]. Proper gasification biomass can deliver energy for generating electricity as a source of renewable energy. One of the advantages of this biomass power plant is that it has a smaller environmental impact compared to other types of plants, such as coal-fired power plants, diesel power plants, and others. Therefore to ensure how much potential environmental impacts are generated, it is necessary to calculate quantitatively through the life cycle assessment method. This research aims to calculate impact assessment on electricity production from a biomass power plant system through a life cycle assessment with system through a life cycle assessment with system boundary cradle to grave in Indonesia.

2 Materials and methods

2.1. Research boundaries and assumptions

This research is limited to these conditions:

- i. This study is branded with a “cradle to grave” life cycle assessment, which is from material acquisition namely land preparation until electricity production through biomass power plant system to consumer (user) and the end-of-life.
- ii. The data used for analysis within the range of seed preparation to harvesting is secondary data from numerous sources, which presents the typical in Aceh Province Indonesian oil palm plantation activity.
- iii. The electricity production from empty fruit bunch from palm oil involve some processing activities namely a) land preparation, b) seedling, c) planting, d) fertilizing, e) protection, f) harvesting, g) palm oil mills h) biomass tank, i) reactor, j) cyclone, k) wet scrubber, l) filter 1, m) blower, n) filter 2, o) gas engine, p) user and the end of life (Figure 1 shows flow chart analysis of empty fruit bunch biomass processing from palm oil cultivation as source for electricity production).
- iv. Impact analysis is carried out to analyze greenhouse gas (GHG) emission based on life cycle assessment (LCA) method.
- v. Most of all, data used in the life cycle inventory (LCI) is based on Aceh Province in Indonesia's condition.
- vi. The functional unit (FU) of this study is 1kWh.
- vii. LCI analysis was performed based on data collected from oil palm plantation in Aceh Province, Indonesia.
- viii. Transportation from seedling to plantation area and from plantation to palm oil mills was also considered.
- ix. The distance of electricity production (biomass power plant system) to end-user assumed 2 km distribution away.

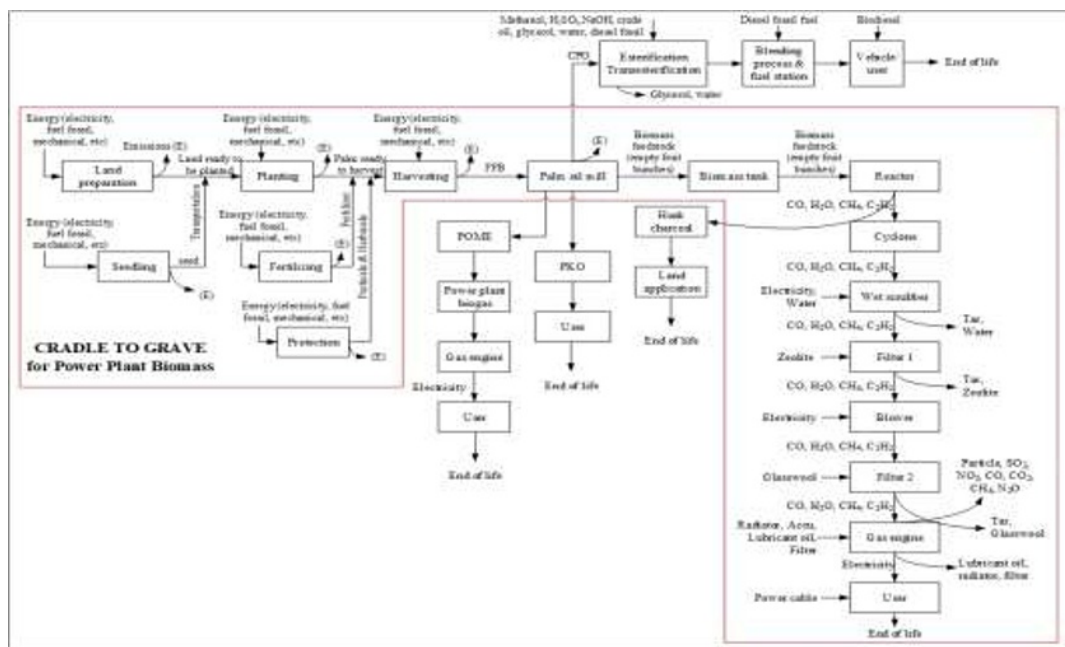


Fig. 1. The illustration of boundary condition for this study

2.2. Processing empty fruit bunch into gasifier

Gasification of the oil palm EFB was carried out using reactor. The oil palm EFB feedstock was weighted and introduced into the reactor by inserting dried empty fruit bunch into the biomass tank. The amount of biomass inserted into the operation of generators for 8 h. The water in full content has been prepared. Gasifier panel turned on, all turned water pump, ensure that water can circulate. Then the gas generators are ready, valve with a new source of gas to which the vote, and pressed the button to open the generator will be able to operate on the use of gas fuel gasifier. The detail gasification system is presented in Figure 2.

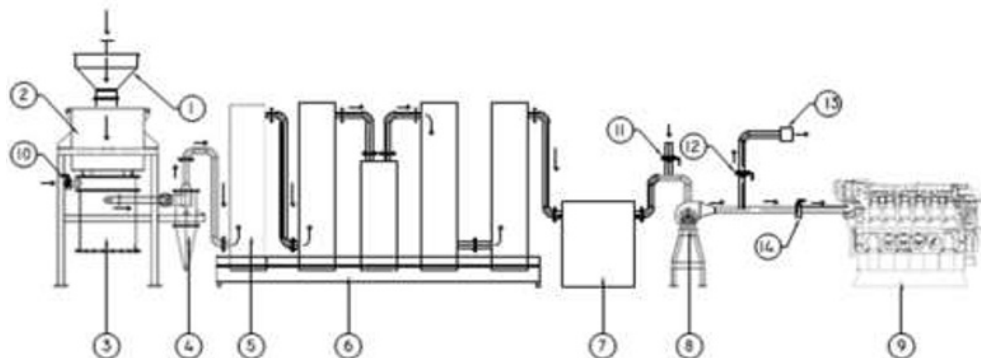


Fig. 2. The scheme of gasification system

Description: 1) Charging biomass tank, 2) Biomass tank, 3) Reactor, 4) Cyclone, 5) Wet scrubber, 6) Water tank, 7) Filter, 8) Blower, 9) Engine gas Genset with Cap.50 kW, 10) Air inlet nozzle (valve 1), 11) valve 2, 12) Valve 3, 13) Exhaust gas, 14) Valve 4.

The design type downdraft gasification for this study is a type of fixed-bed gasification with the direction of airflow from bottom to top. The advantages of this type of downdraft are not overly sensitive to tar and can easily adapt to the amount of biomass feed. Gases of combustion of this type of downdraft gasification work bypassed on the oxidation of combustion by means of flow pulled down so that the gas produced will be cleaner because the tar and oil will be burned.

2.3. Source data and problem formulation

Data used for analysis is collected in four methods, i.e.:

- i. Survey to obtain related data of the object being studied, relevant sources, used parameter and others associated in the research.
- ii. Literature study.
- iii. Consultation and interview from a related authorized person including government agencies, private sector and academician.
- iv. The direct measurement carried out in the laboratory and field.
- v. The collecting data of primary data from PT.PN 1 Lhoksukon-East Aceh, and private company national in Aceh Province, i.e.: PT.SPS 1 and 2 in Nagan Raya, PT. Soxfindo in Nagan Raya, PT. Kurnia Tanah Subur in Meulaboh, PT.PKS in Biureun, and oil palm plantation from people, i.e., Nagan Raya Districts, West Aceh Districts, East Aceh Districts, Biureun Districts, and Lhokseumawe Districts. Secondary data which obtained from national and international journal, student field practice report on oil palm, undergraduate thesis, graduate thesis, relevant research report, and also publication released from national private plantation companies.

3 Results

3.1. Life cycle inventory, material, and energy consumption

Starting from the quantity and source of empty fruit bunch which was collected from palm oil mill, the palm oil plantation material and energy to produce empty fruit bunch need to be investigated. Then, material and energy consumption during electricity production in the biomass power plant system also needs to be investigated afterward. The first step in the development of palm oil plantation is land preparation. Land preparation activities are usually conducted by the utilization of primary or secondary forest. Before planting, seedling activities were conducted during 12 mo which seed as the seedling source. Total of 136 trees ha⁻¹ has been planted. In the development phase, various fertilizer compounds such as N, P, K, Mg, B, and organic fertilizer as well as various plant pests has been applied in a very intensive way.

Palm oil trees start to produce after 30 mo, with the number of production was 8 t seed ha⁻¹. Crude Palm Oil (CPO) was produced in the palm oil mill as well as this stage also produces an empty fruit bunch which then was utilized as a source of biomass for electricity production. Fruit empty bunch inserted into the gasification system. Gasification of the oil palm EFB was carried out using a reactor and supported by a gas engine to produce bio-synthesis gas. Electricity was used for wet tar scrubber and blower process stage. Glass wool and zeolite were used for the filtering process. Lead-acid battery, lubricant oil, coolant radiator, and filter were used for gas engine applications. Detail description of sixteen sub-processes involved in LCI for electricity production is shown in Table 1. Material and energy used for 1 kWh from biomass power plants are shown in Table 2.

Table 1. The detail description of life cycle on electricity production from fruit empty bunch biomass from palm oil mill with boundary cradle to grave

Input activities	Component	Oil palm
(1) Land preparation	Early land uses	Primer & secondary forest
	Soil fertility	Fertile
	Tree, diameter > 60 cm	26 trees ha ⁻¹ to 100 trees ha ⁻¹
	Tree, diameter > 30 cm	Approx. 2 500 trees ha ⁻¹
	Coarse grass	10 to 30 groups m ⁻²
	Soil tillage	Effective soil depth 50 cm to 150 cm
	Plant above the soil surface	Nuts
(2) Seedling	Seedling time	12 mo
	Seedling source	Seed
(3) Planting	Plants width space	9 m × 9 m × 9 m
	Number of plants	136 ha ⁻¹
	Number of hole	50 m × 40 m × 40 cm
(4) Fertilizing	Fertilizer compound	N, P, K, Mg, B, organic fertilizer
	Intensity	Very intensive
(5) Protection	Plant pest	Many kinds of pest presents
(6) Harvesting	Start to produce	30 mo
	Production on stable productivity	8 t seed ha ⁻¹
	Edible/non-edible	Edible
(7) Palm oil mills	Production of crude oil	By milling
	Value of FFA	< 2
	Ratio of FFB to crude oil	21 %
	Produced biomass	Empty Fruit Bunch

(Continued on next page)

Table 1. Continued

Input activities	Component	Oil palm
(8) Biomass Tank	-	-
(9) Reactor	Dimension	900 mm (OD) x 1 000 mm (height)
(10) Cyclone	Dimension	580 mm (OD) x 1 766 mm (height)
(11) Wet Scrubber	Dimension	5 tubes × 300 mm (OD) × 1 750 mm (long) × 1300 mm (height)
(12) Filter 1	Dimension	700 mm (long) × 700 mm (wide) × 700 mm (height)
(13) Blower	Power	1 HP
(14) Filter 2	Dimension	700 mm (long) × 700 mm (wide) × 700 mm (height)
(15) Gas Engine	Capacity	50 KW
(16) User	Distribution using cable	2 km

Table 2. Mass and energy flow for 1 kWh electricity of empty fruit bunch biomass from palm oil mill.

Process	Mass and Energy	Unit	Quantity	
(1) Land clearing	Herbicide	kg	2.90E-05	
	Diesel for toppling & clearing	l	1.61E-05	
(2)Seedling	Fungicide	kg	1.85E-05	
	Insecticide	kg	1.27E-06	
	Meister of Fertilizer	kg	1.93E-06	
	Chemical fertilizer/Urea 0.2 %	l	2.68E-05	
	Organic fertilizer	kg	8.12E-05	
	TSP/SP36	kg	2.55E-06	
	Muriate of Potash (K)	kg	2.20E-08	
	Dolomite	kg	4.39E-08	
	N-P-K-Mg (mixing)	kg	1.48E-05	
	Electricity for water pump	kWh	6.38E-04	
(3) Planting	Pesticide	kg	4.37E-06	
	Transportation Diesel fuel for truck 5 t	l	1.17E-04	
	TSP/SP36	kg	2.30E-04	
	Organic fertilizer	kg	3.87E-06	
	Rock Phosphate (RP)	kg	2.91E-05	
	KCl		-	
	(4) Fertilization For 5 yr	Urea	kg	4.41E-03
		TSP/SP36	kg	1.78E-03
		Rock Phosphate (RP)	kg	3.67E-03
		Sulphate Ammonia (ZA)	kg	1.09E-03
Muriate of Potash (K)		kg	4.82E-03	
Kieserite (MgSO ₄)		kg	2.84E-03	
HGF-B (HGF-Borate)		kg	1.83E-04	
CuSO ₄		kg	8.72E-05	
ZnSO ₄		kg	3.78E-05	
LSD		kg	1.31E-03	
Organic fertilizer	kg	-		

(Continued on next page)

Table 2. Continued

Process	Mass and Energy	Unit	Quantity
(5)Protection	Insecticide	kg	6.35E-05
For 5 yr	Pesticide	kg	7.53E-05
	Diesel for sprayer & fogging	l	1.32E-05
(6) Harvesting	Diesel fuel for truck 10 t	l	1.20E-04
(7) Palm oil mill	Electricity from grid	kWh	1.05E-03
	Steam consumption	kg	1.43E-03
	Water consumption	m ³	2.11E-05
	PAC	kg	6.37E-07
	Flocculants	kg	2.20E-09
	NaOH	kg	5.49E-07
	H ₂ SO ₄ /HCl	kg	5.49E-07
	Tannin concentrate	kg	2.42E-07
	Poly Perse BWT 302	kg	2.42E-07
	Alkali BWT 402	kg	2.20E-07
	Fiber/Shell	kg	6.86E-04
Transportation	Diesel fossil fuel	l	1.13E-04
(8) Biomass Tank	Empty Fruit Bunch	kg	1.60E-00
(9) Reactor	-	-	-
(10) Cyclone	-	-	-
(11) Wet tar Scrubber	Electricity for water pump Water consumption	kWh m ³	9.50E-03 7.13E-02
(12) Filter 1	Zeolite	kg	3.30E-04
(13) Blower	Electricity	kWh	1.19E-02
(14) Filter 2	Glass wool	kg	9.90E-06
(15) Gas Engine	Lead acid battery Lubricant oil Radiator coolant Filter	Unit l l Unit	1.08E-05 1.32E-04 1.39E-03 2.20E-05
(16) User	Cable connector	km	2.00E-00

3.2. Life Cycle Impact Assessment

The result of this study was the Life Cycle Impact Assessment of electricity production through biomass power plant system. This study consist of cradle to grave system boundary, which calculated the environmental impact of the raw material acquisition to the user and the end of life. Total GHG emission was 0.152 kg CO₂-eq kWh⁻¹. This study result showed that the gas engine was the significant number of GHG emission followed by fertilizing, blower, and wet tar scrubber. Biomass Tank, Reactor and Cyclone was the lowest GHG emission as this stage has zero-emission in the process. The LCIA result of GHG emission impact category as presented in Figure 3.

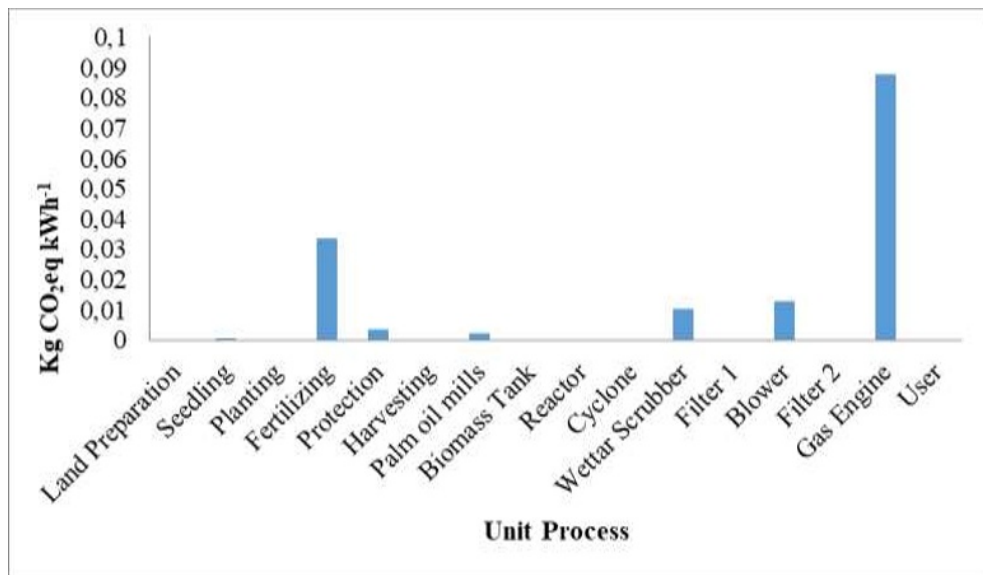


Fig. 3. LCIA result of GHG emission of Biomass Power Plant

The total of GHG emission is lower than fossil fuel, coal, and natural gas, but higher than nuclear, hydropower, and geothermal as reported by Siregar et al. [12]. Compared to diesel fuel, GHG emission has a potential reduction of up to 49 % and if we compared to coal, the GHG emission has potential reduction of up to 45.1 %. The utilization of empty fruit bunch from palm oil for electricity production can reduce the environmental impact of palm oil production due to waste utilization and the number of GHG emission-reducing from palm oil production reach up to 25 %.

The biomass power plant system has many advantages compared to other power plant systems. For empty fruit bunch biomass itself, it has lower GHG emission compared to other biomass power generation and even it has much lower GHG emission compared to average GHG emission of the various power plant system. Biomass power plant from empty fruit bunch has higher GHG Emission compared to various renewable energy such as nuclear energy, wind energy, ocean energy, hydropower, geothermal energy, concentrated solar power, photovoltaics, biopower, hydropower (Indonesia), and geothermal energy (Indonesia), however, it has much lower of GHG emission compared to powerplant from coal, oil, natural gas, diesel mix gas, and steam mix gas. The result of GHG emission from a various power plants in Indonesia also showed that biomass power plant from an empty fruit bunch has lower GHG emission compared to the powerplant system which has only gate to gate system boundary as presented in Figure 4.

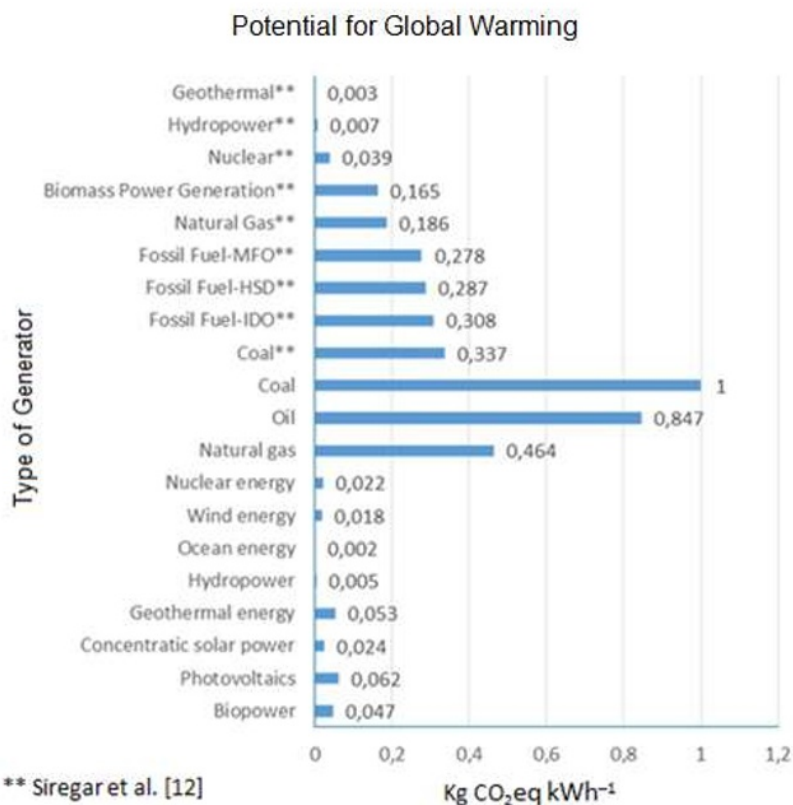


Fig. 4. The GHG emission of a various power plant system in Indonesia [12].

Biomass from an empty bunch also has benefits in reducing the GHG emission from palm oil production due to the utilization of waste biomass from palm oil production. Palm oil production has a significant environmental impact related to GHG emission released from the CPO production. The number of GHG emission released reach up to 1 869.39 kg CO₂-eq t⁻¹ CPO [12]. This number was much higher if the emission is charged only to the CPO production. Even though this should be allocated to the various co-product which have potentially been utilized during the palm oil life cycle. Studies reported that from palm oil production it has various co-product during its life cycle. The research reported that processing 1 t of fresh fruit bunch (FFB) produces around 25 % or 254.7 kg of empty fruit bunch as well as 240.4 L of POME [13]. 1 m³ of POME treated using the ponding system for anaerobic digestion produces 28 m³ of biogás, which is comprised of 65 % methane and 30 % CO₂ [14]. It was assumed that 28 % of POME can be utilized as biogas. This research also showed that 25 % of the empty fruit bunch can be utilized as electricity production. During the electricity production from biomass, it also produces 5 % husk charcoal that also can be allocated as a co-product for land application. Figure 1 shown that palm oil has many derivative products, such as palm oil, biomass, biogas, palm kernel oil and etc. So far the impact calculation has always been charged to palm oil itself. Whereas, if all palm oil derivative products are included in the calculation, the environmental impact caused by palm oil processing will be smaller. The biomass utilization from palm oil plantation for electricity is needed to be investigated further. It is related to the gasification system and tools which is less easy maintaining.

4 Conclusion

The electricity production from empty fruit bunch biomass has been considered as climate-friendly power plant system due to its GHG emission released lower than other powerplant systems. Biomass power plant through the gasification system as conducted in this research produced GHG emission 0.152 kg CO₂-eq kWh⁻¹. Gas engine stage was the highest GHG emission contributor during the life cycle which has produced 0.087 kg CO₂-eq kWh⁻¹ while biomass tank, cyclone, and reactor have zero-emission. Palm oil plantation has various co-product to be utilized and potentially reducing GHG emissions from palm oil production. From this research, the utilization of fruit empty bunch biomass can reduce the GHG emission of palm oil by up to 25 %.

This research was supported by DGHE, Ministry of Research, Technology, and Higher Education, under PPTI-Program *Pengembangan Teknologi Industri* [Industrial Technology Development Program] Scheme with number SK No. 5/E/KPT/2019.

References

1. Department of Energy and Mineral Resources (DESDM). BluePrint Pengelolaan Energi Nasional, (Workshop Sosialisasi Blue Print Pengelolaan Energi Nasional (2006).p.73.
https://www.esdm.go.id/assets/media/content/Blueprint_PEN_tgl_10_Nop_20_07.pdf
2. E. Hambali, M. Rivai, *The Potential of Palm Oil Waste Biomass in Indonesia in 2020 and 2030*. IOP Conference Series: Earth and Environmental Science. **65**,012050(2017)
<https://iopscience.iop.org/article/10.1088/1755-1315/65/1/012050>
3. Y.S. Pradana, A. Kurniawan, A. Budiman, *Bio-oil Derived from Indonesian Oil Palm Empty Fruit Bunch (EFB) using Middle-scale Slow Pyrolysis*. Proceeding the International Oil Palm Conference, Bali, Indonesia (2014)
https://www.researchgate.net/publication/315483102_Bio-oil_Derived_from_Indonesian_Oil_Palm_Empty_Fruit_Bunch_EFB_using_Middle-scale_Slow_Pyrolysis
4. K. Siregar, Sholihati, Syafriandi, Int. Journal of Engineering Research and Application, **6**:09–16 (2016)
https://www.researchgate.net/publication/291336260_The_Potential_Application_of_Gasification_for_Biomass_Power_Generation_in_Isolated_Area_from_National_Electricity_Company_in_Indonesia
5. A.H.R. Aljuboori. International Journal of Biomass & Renewables. 13–18 (2013) link:
https://www.researchgate.net/publication/281510401_Oil_palm_biomass_residue_in_Malaysia_Availability_and_sustainability
6. S.H. Shuit, K.T. Tan , K.T. Lee, A.H. Kamaruddin. Energy. **34**,9:1225–1235(2009)
https://www.researchgate.net/publication/223659992_Oil_palm_biomass_as_a_sustainable_energy_source_A_Malaysia_case_study
7. A. Molino, S. Chianese, D. Musmarra. Journal of Energy Chemistry, **25**,1:10–25 (2016)
<https://www.sciencedirect.com/science/article/abs/pii/S2095495615001102>
8. R. Rauch, J. Hrbek, H. Hofbauer H. Wiley Interdisciplinary Reviews: Energy Environment. **3**,4:343–362(2013)
https://www.researchgate.net/publication/259543643_Biomass_Gasification_for_Synthesis_Gas_Production_and_Applications_of_the_Syngas

9. L.E. Taba, M.F. Irfan, W.A.M.W. Daud, M.H. Chakrabarti. **16**,8:5584–5596 (2012)
<https://www.sciencedirect.com/science/article/abs/pii/S1364032112004029>
10. J.A. Ruiz, M.C. Juarez, M.P. Morales, P. Munoz, M.A. Mendivil, Renewable and Sustainable Energy Reviews, **18**,174–183 (2013)
<https://www.sciencedirect.com/science/article/abs/pii/S1364032112005631>
11. SRREN (The Special Report on Renewable Energy Resource and Climate Change Mitigation) IPCC Working Group. Renewable energy source and climate change mitigation, summary for policymakers and technical summary, IPCC (2011)
https://archive.ipcc.ch/pdf/special-reports/srren/SRREN_FD_SPM_final.pdf
12. K. Siregar, R. Alamsyah, I. Ichwana, S. Sholihati, S. Tou, N.C. Siregar, *The Integration of Gasification Systems with Gas Engine by Developing Wet Tar Scrubbers and Gas Filter to Produce Electrical Energy from Biomass*, Matec. Web. Conference. **164**,01024(2018). https://www.matec-conferences.org/articles/mateconf/abs/2018/23/mateconf_icesti2018_01024/mateconf_icesti2018_01024.html
13. T.W. Koura, V. Kindomihou, G. Dagbenonbakin, M. Janssens, B. Sinsin. African Journal of Agricultural Research. **11**,19:1787–1796 (2016).
https://www.researchgate.net/publication/303291342_Quantitative_assessment_of_palm_oil_wastes_generated_by_mills_in_Southern_Benin
14. C.W. Puah, Y.M. Choo, S.H. Ong, American Journal of Applied Science. **10**,11:1351–1355 (2013).
https://www.researchgate.net/publication/282592962_Production_of_Palm_Oil_with_methane_avoidance_at_Palm_Oil_Mill_A_case_study_of_cradle-to-gate_life_cycle_assessment/link/57fc695b08ae51472e7e8878/download